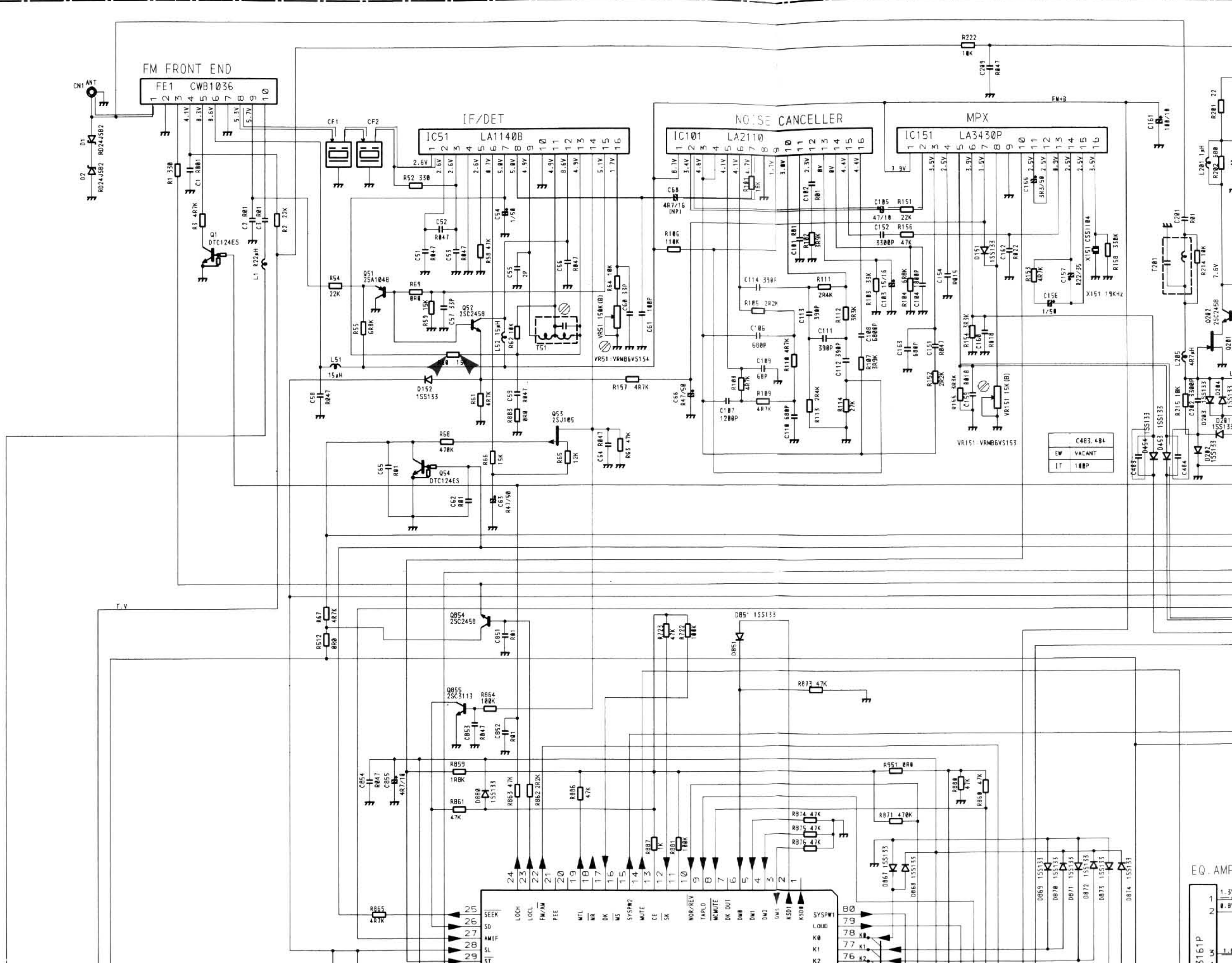


13. SCHEMATIC CIRCUIT DIAGRAM (KEH-2500/EW, IT)

TUNER AMP P.C. BOARD



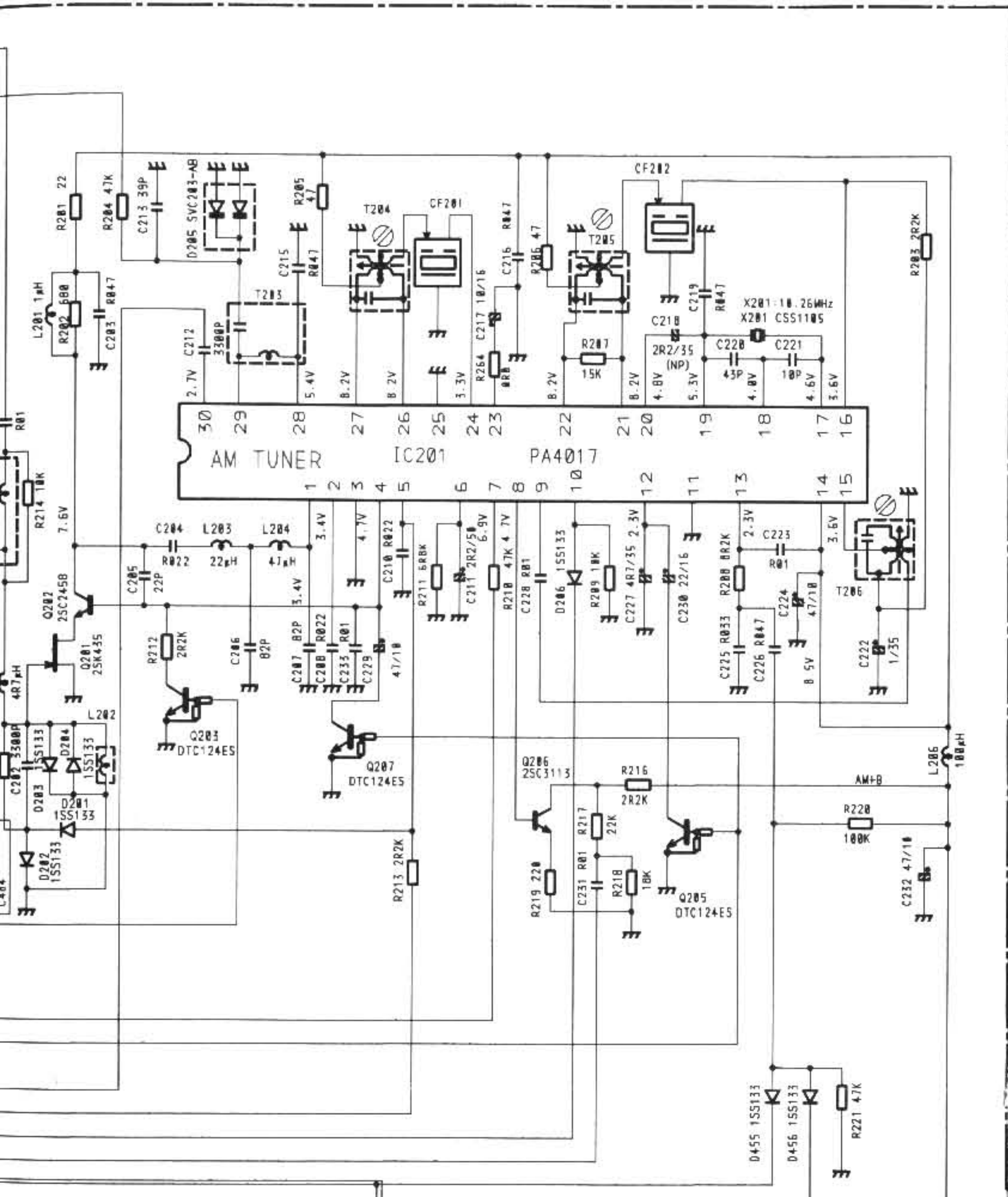
A

B

C

EQ AMP

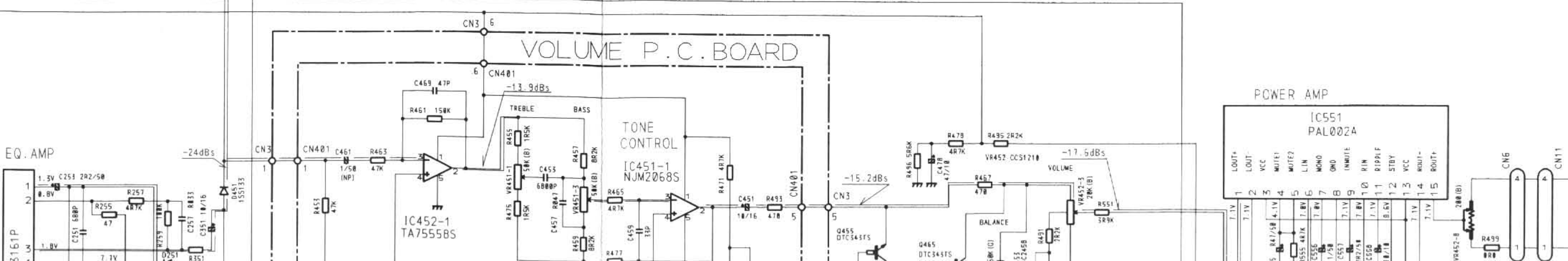
3161P

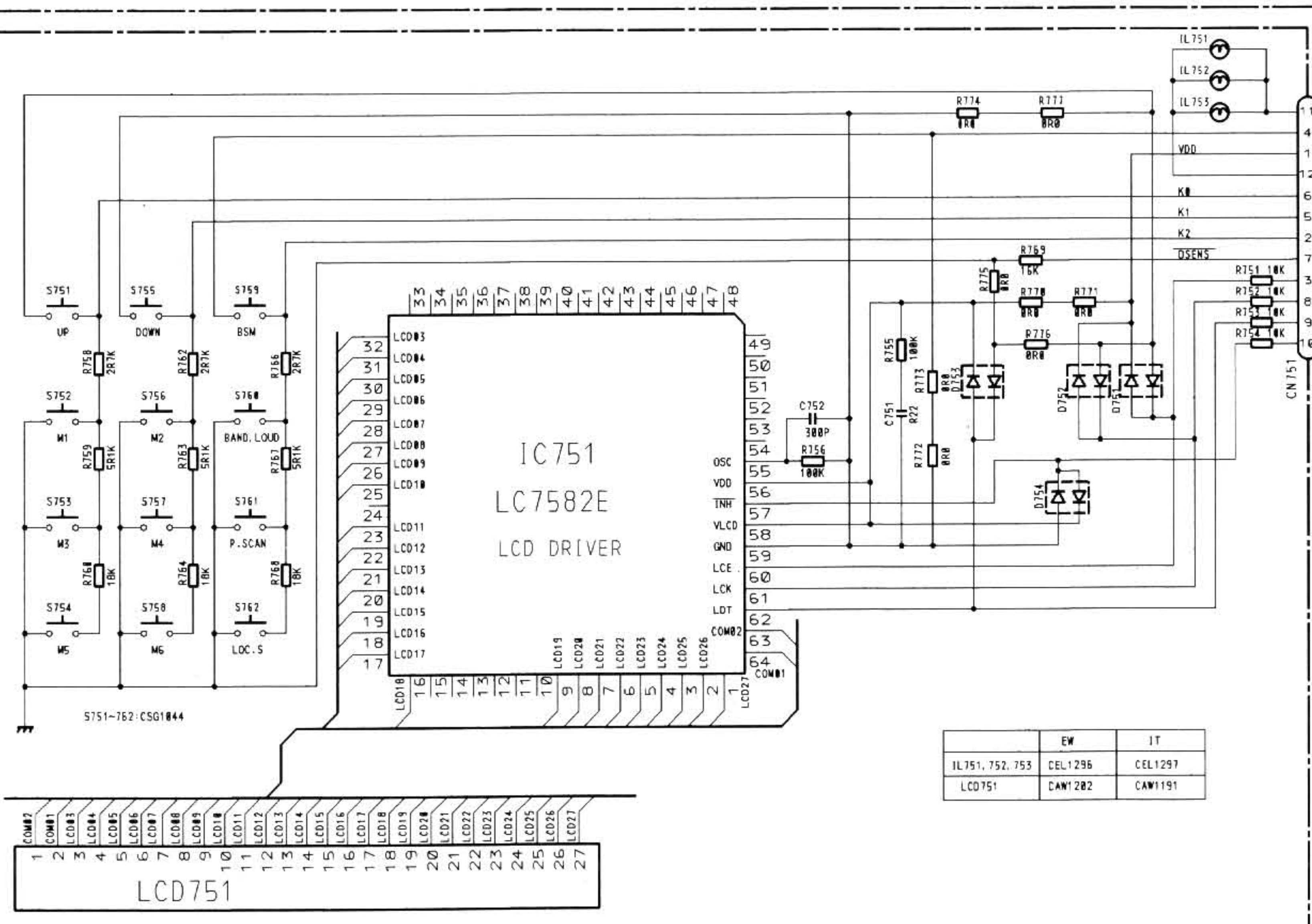
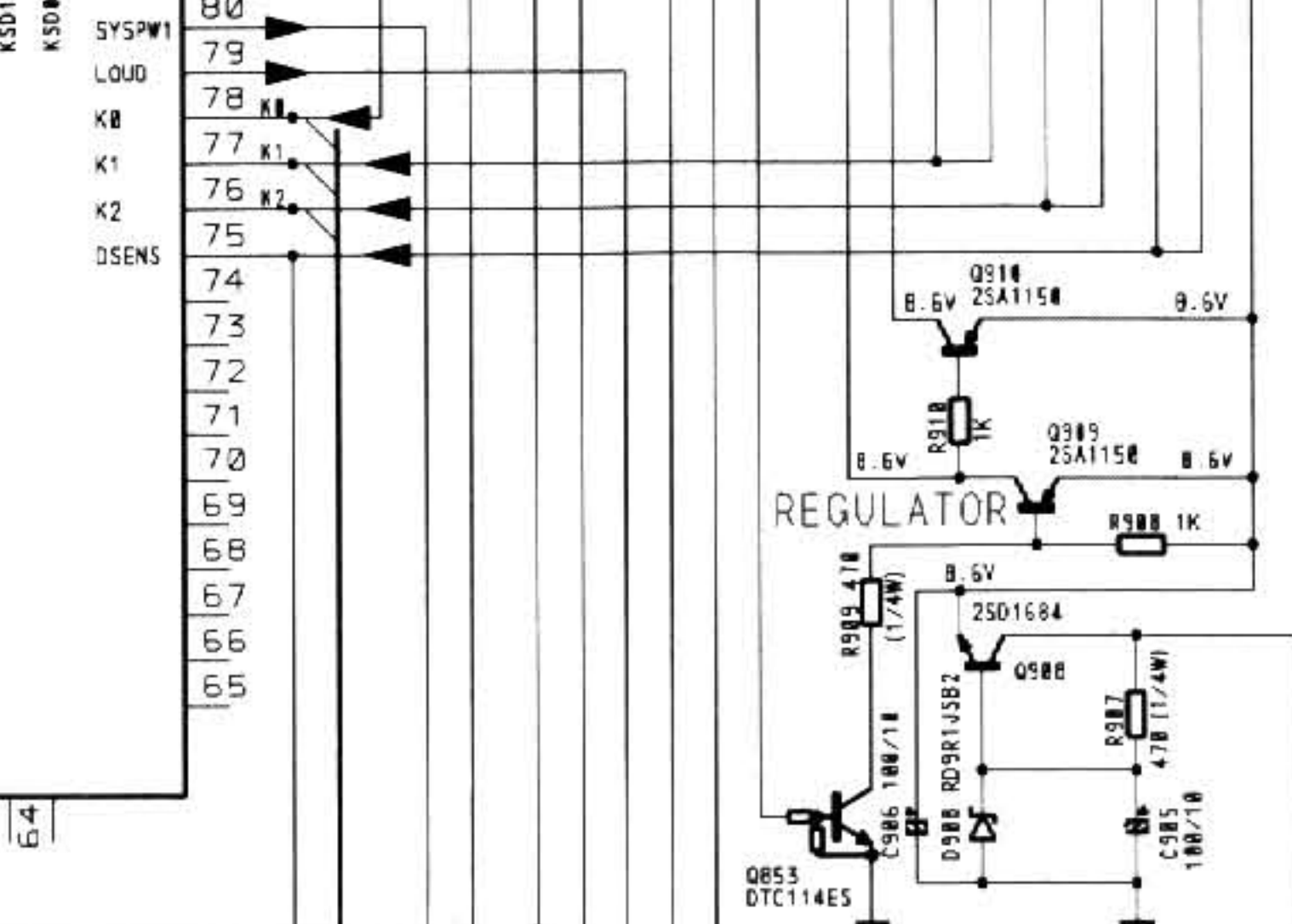
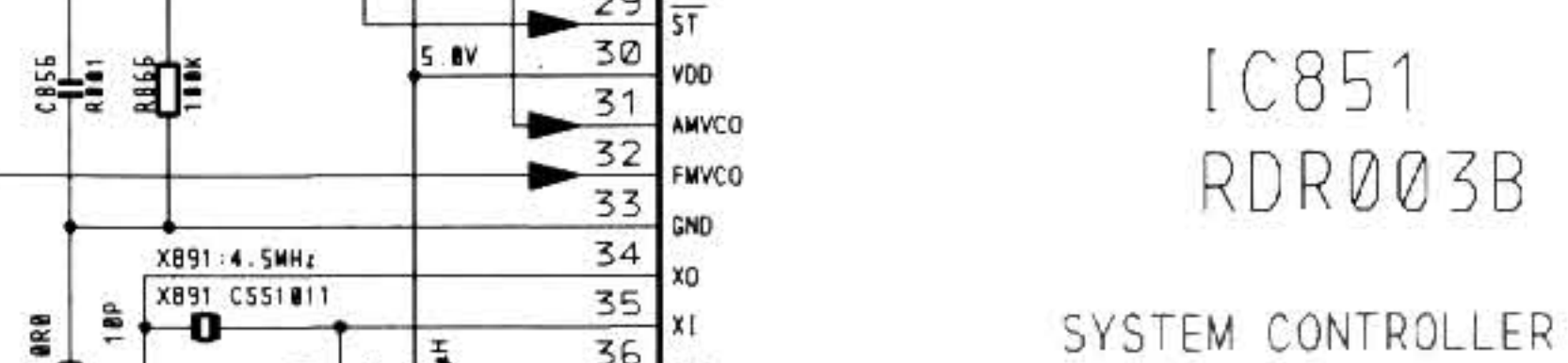
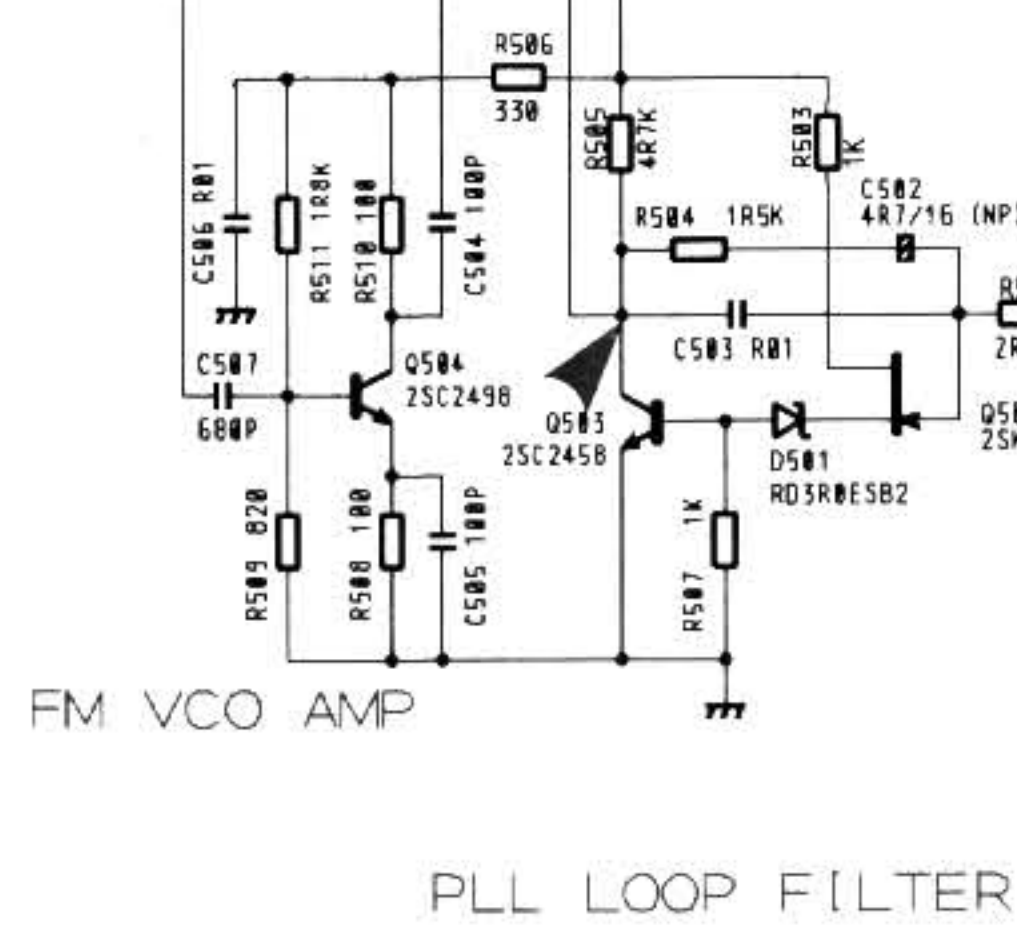


NOTE :

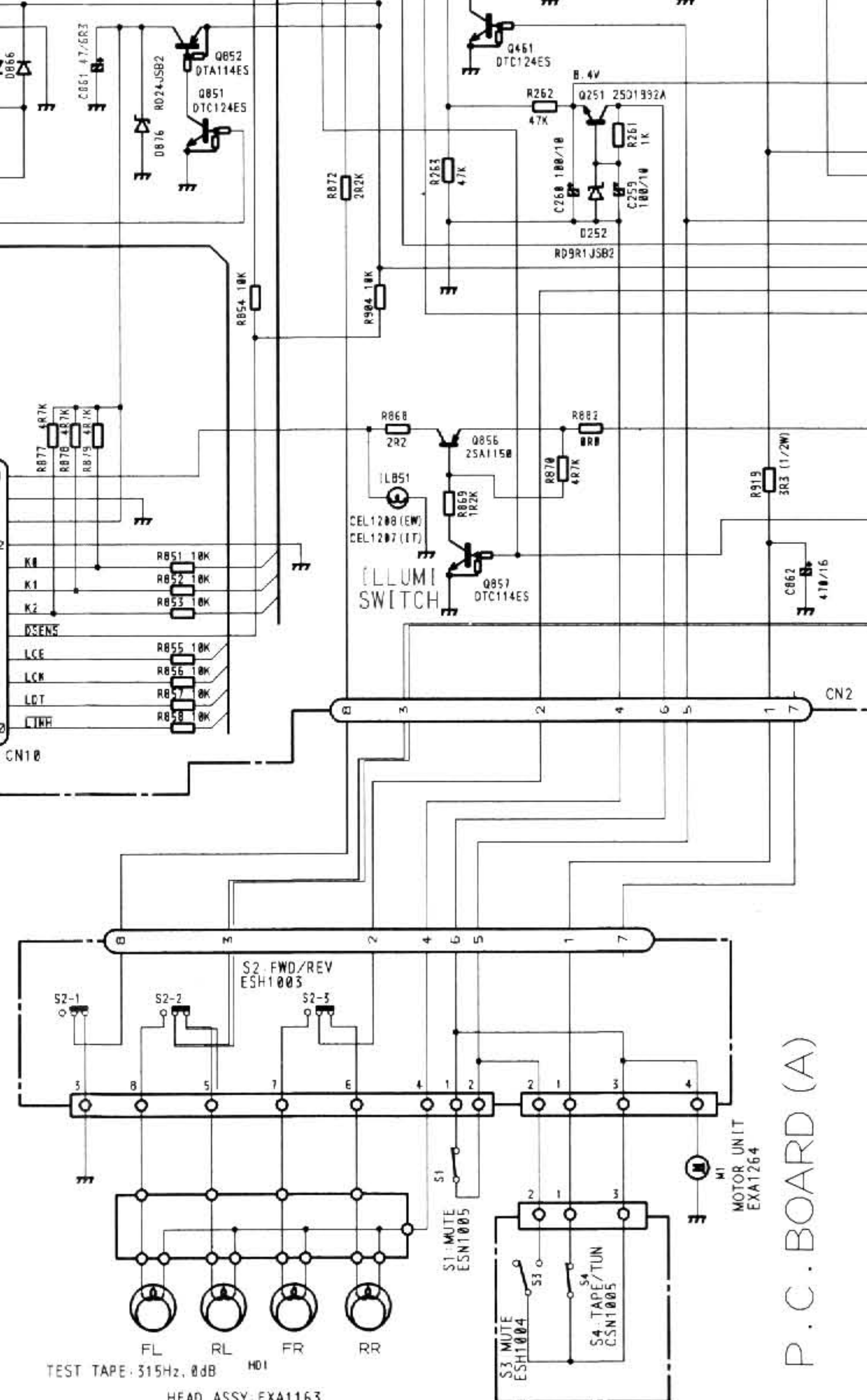
- Symbol indicates a resistor. No differentiation is made between chip resistors and discrete resistors.
- ⊞ Symbol indicates a capacitor. No differentiation is made between chip capacitors and discrete capacitors.

Decimal points for resistor and capacitor fixed values are expressed as:
 2.2→2R2
 0.022→R022





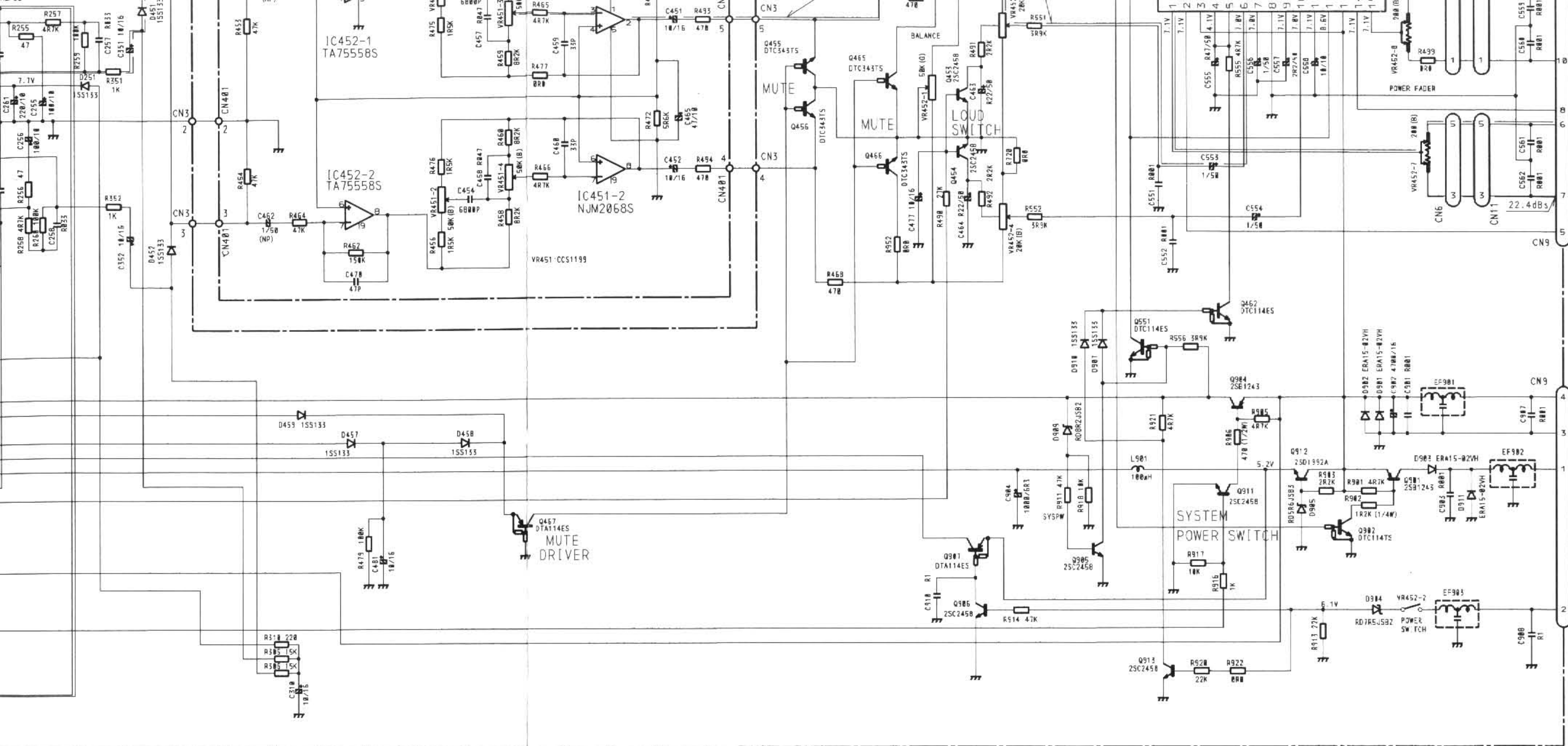
IL751, 752, 753	CEL1296	CEL1297
LCD751	CAW1282	CAW1191



KEY BOARD UNIT

P.C. BOARD (B)

P.C. BOARD (A)



Tuner Amp Unit
 Consists of
 Tuner Amp P.C.Board
 Volume P.C.Board

